

**15" XGA AFOLUX Panel PC**

**AFL-15A(E)-LXPOS**

**AMD Geode LX-800 500 MHz Processor**



**AFL-15A(E)-N270**

**Intel® Atom™ Processor N270 1.6GHz Processor**

**AFL-15A(E)-915**

**Intel® Celeron® M 1GHz 512KB Processor**



(Optional POS Stand)

**Features**

- 15" TFT LCD with resistive touch screen
- System memory up to 2 GB RAM
- Built-in 802.11b/g (802.11 b/g/n) Wireless LAN
- Built-in Bluetooth module
- Selectable AT/ATX power mode through the switch on the chassis inside
- Built-in two speakers
- Optional HSUPA module for mobile connection
- One compact flash slot
- IP 64 compliant front panel



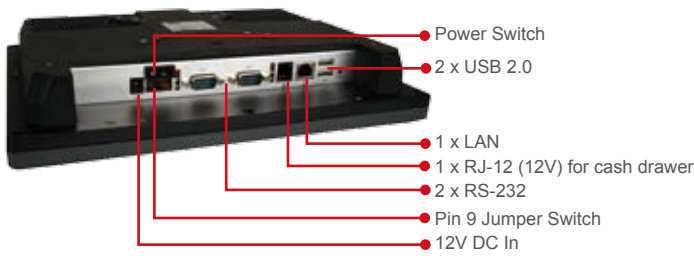
**Specifications**



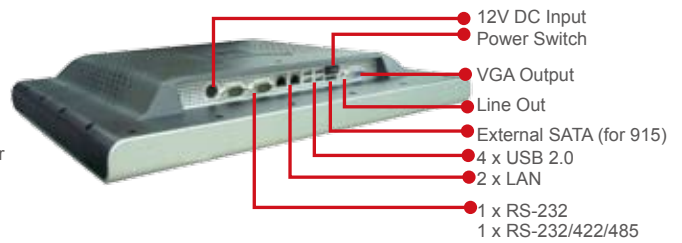
Model	AFL-15A(E)-LXPOS	AFL-15A(E)-N270-R10	AFL-15A(E)-915-R11
LCD Size	15"		
Max Resolution	1024 x 768		
Brightness (cd/m <sup>2</sup> )	350 or 250	350 or 250	350 or 250
Contrast Ratio	700:1 or 600:1	700:1 or 600:1	700:1 or 600:1
LCD Color	262K or 16.7M	262K or 16.7M	262K or 16.7M
Pixel Pitch (mm)	0.297(H) x 0.297(V)		
Viewing Angle (H-V)	140°/125° or 160°/160°	140°/125° or 160°/160°	140°/125° or 160°/160°
Backlight MTBF	50000 or 40000 hrs	50000 or 40000 hrs	50000 or 40000 hrs
SBC Model	AFLMB-LXPOS-R10	AFLMB2-945GSE-N270-R10	AFLMB-9152-R11
CPU	AMD LX 800 (500MHz)	Intel® Atom™ process N270 1.6GHz CPU	Intel® Celeron M process 1Gz with 512KB L2 Cache processor CPU
Chipset	AMD LX 800 + AMD CS5536	Intel® 945GSE + ICH7M	Intel® 915 GME
RAM	Supports one 333MHz or 400MHz DDR SO-DIMM (1GB Max.)	Supports one 400MHz or 533MHz DDRII SO-DIMM (2GB Max.)	Supports two 400MHz or 533MHz DDRII SO-DIMM (4GB Max.)
I/O Ports	2 x RS232 COM Port (pin9 with RI, 5V or 12V switch selectable) 1 x RJ-45 for 10/100Mbps LAN 2 x USB 2.0 1 x Power Switch 1 x Reset Button 1 x RJ-12(12VDC) for Cash Drawer 1 x Power Jack	1 x RS232 COM Port 1 x RS-232/422/485 COM port 2 x RJ-45 for Giga LAN 4 x USB 2.0 1 x Power Switch 1 x Reset Button 1 x Audio Port (line-out) 1 x VGA Port 1 x Power Jack	1 x RS232 COM Port 1 x RS-232/422/485 COM port 2 x RJ-45 for Giga LAN 4 x USB 2.0 1 x Power Switch 1 x Reset Button 1 x External SATA 1 x Audio Port (line-out) 1 x VGA Port 1 x Power Jack
SSD	CF Typell		
Watchdog Timer	Software programmable supports 1~255 sec. System reset		
Audio	AMP 1.5W + 1.5W (internal speaker)		
Expansion	1 x Wireless Lan 802.11 b/g Module (internal Mini PCI interface)	1 x Wireless Lan 802.11 b/g Module (internal Mini PCIe interface) 1 x Bluetooth Function (internal USB interface, Bluetooth V2.0)	
Drive Bay	1 x 2.5" IDE HDD bay	1 x 2.5" SATA HDD bay or Optional HSUPA module (USB interface)	1 x 2.5" SATA HDD bay or Optional HSUPA module (USB interface)
Optional HSUPA Module (support GSM 850, EGSM 900, DCS 1800 & 1900)	N/A		
Construction Front Panel	ABS + PC Plastic front frame		
Membrane Keypad	N/A		
LED Function	1 x LED on Front Panel for Power ON/OFF 2 x LED on Rear cover for COM port 12V : RED / 5V : YELLOW / RI : GREEN	1 x Power ON/OFF LED on Front Panel	
Mounting	Panel, Wall, Rack, Stand and Arm, VESA 100mm x 100mm		
Front Panel Color	Sliver (877U) & Gray (ABSA2037)		
Dimension (WxHxD) (mm)	394 x 309 x 61		
Operation Temperature (°C)	0°C ~ 50°C	0°C ~40°C with SATA HDD -10°C ~50°C with CF Card or SATA interface 2.5" SSD HDD	0°C ~40°C With SATA HDD 0°C ~45°C With CF Card or SATA interface 2.5" SSD HDD
Storage Temperayure (°C)	-20°C ~ 60°C		
N/G Weight	3.2 Kg		
IP Level	Front Frame IP64		
Safety & EMC	CE / FCC / CB / CCC		
Touch Screen	Resistive Type 5-Wire (Touch controller IC is on board) or Capacitive type touch screen without HDD bay		
Power Adapter	P/N: 63000-FSP0601AD101C746-RS 60W Power Adapter Input: 90VAC~264VAC, 50/60Hz Output: 12VDC	P/N: 63000-FSP0601AD101C746-RS 60W Power Adapter Input: 90VAC~264VAC, 50/60Hz Output: 12VDC	P/N: 63000-FSP0601AD101C746-RS 60W Power Adapter Input: 90VAC~264VAC, 50/60Hz Output: 12VDC
Power Requirement	12VDC		
Power Consumption	38W	49W	41W

## Fully Integrated I/O

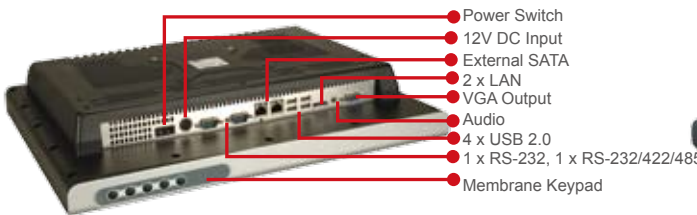
### • AFL-15A-LXPOS



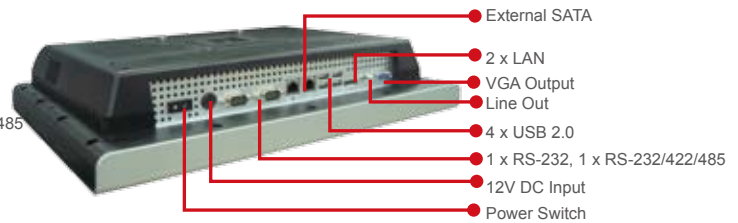
### • AFL-15A-915 / AFL-15A-N270



### • AFL-15C-9652



### • AFL-15B-690 / AFL-15B-915



## Ordering Information

### • High Luminance (350 cd/m<sup>2</sup>)

	Part Number	Description
w/o ODD	AFL-15A-LXPOS/WT-R/256MB <i>POS Panel PC!</i>	15" 350cd/m <sup>2</sup> XGA fanless panel PC with AMD Geode™ LX 800 CPU, 256MB DDR RAM, 802.11b/g wireless module, and touch screen, without STAND
	AFL-15A-915-10G/WT-R/1GB-R11	15" 350cd/m <sup>2</sup> XGA fanless panel PC w/ Celeron M 1.0GHz 512K cache CPU,DDR2 RAM,802.11 b/g wireless module,touch screen,Bluetooth,RoHS
	AFL-15B-915-PM16G/WT-R/1GB/**(HSUPA01)-R11	15" 350cd/m <sup>2</sup> XGA panel PC w/ Pentium® M 1.6GHz CPU, 1GB DDR2 RAM, 802.11 b/g wireless module, touch screen, Bluetooth, RoHS
	AFL-15B-915-CM370/WT-R/1GB/**(HSUPA01)-R11	15" 350cd/m <sup>2</sup> XGA panel PC w/ Celeron® M 1.5GHz CPU, 1GB DDR2 RAM, 802.11 b/g wireless module, touch screen, Bluetooth, RoHS
	AFL-15B-AM2/WT-R/1GB/**(HSUPA01)-R10	15" 350cd/m <sup>2</sup> XGA panel PC w/ AMD Athlon 64 X2 Dual-Core 5050e 2.6GHz CPU, 1GB DDR2 RAM, 802.11 b/g/n wireless module, touch screen,Bluetooth, ROHS
	AFL-15C-9652-CM550/WT-R/1GB/**(HSUPA01)	15" 350cd/m <sup>2</sup> XGA panel PC with Celeron® M 550 2.0GHz CPU,1GB DDR2 RAM,802.11 b/g/n wireless module,touch screen,Bluetooth,RoHS
	AFL-15C-9652-T7500/WT-R/2GB/**(HSUPA01)	15" 350cd/m <sup>2</sup> XGA panel PC with Core™2 Dou T7500 2.2GHz CPU,2GB DDR2 RAM,802.11 b/g/n wireless module,touch screen,Bluetooth,RoHS
w ODD	AFL-15A-N270/WT-R/1GB/**(HU01)-R10	15" 350cd/m <sup>2</sup> XGA fanless panel PC with Intel® Atom™ N270 1.6GHz CPU,1GB DDR2 RAM,802.11 b/g wireless module,touch screen,Bluetooth,RoHS
w ODD	AFL-15D-N270/WT-R/OD/1GB/**(HU01)-R10	15" 350cd/m <sup>2</sup> XGA fanless panel PC with Intel ATOM N270 1.6GHz,802.11b/g wireless module,bluetooth module,touch screen,1GB DDR2 RAM,DVD-COMBO,RoHS

### • Regular Luminance (250 cd/m<sup>2</sup>)

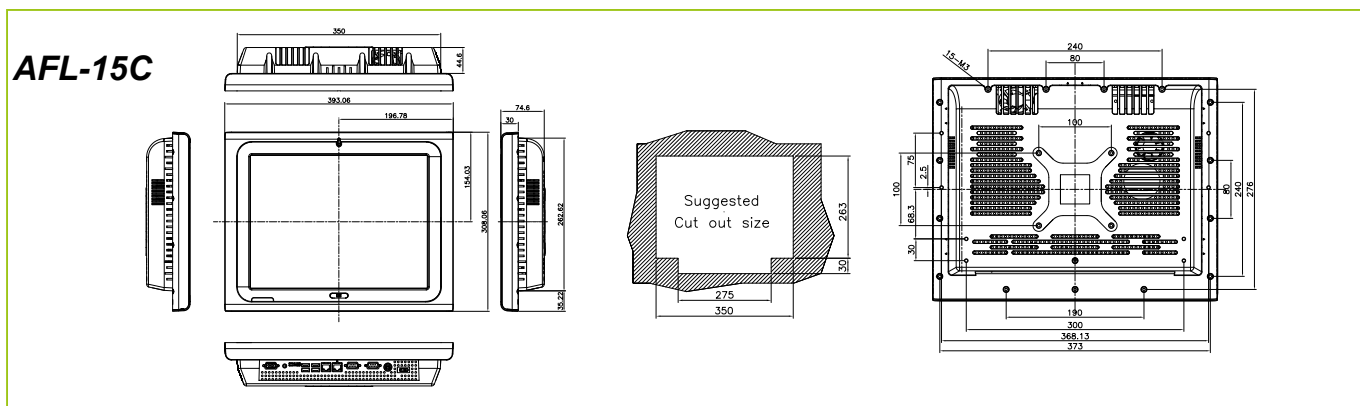
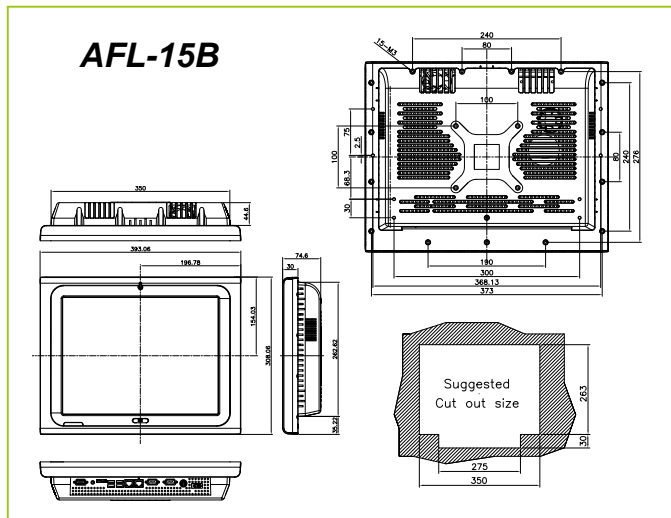
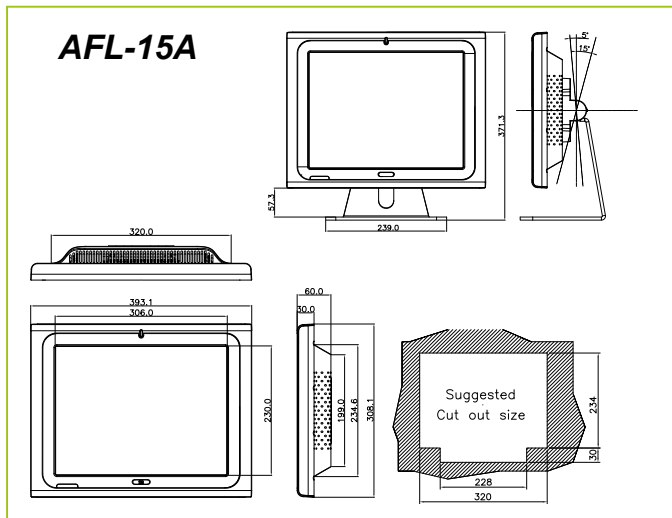
	Part Number	Description
w/o ODD	AFL-15AE-LXPOS/WT-R/256MB <b>NEW!</b>	15" 250cd/m <sup>2</sup> XGA fanless panel PC with AMD Geode™ LX 800 CPU, 256MB DDR RAM, 802.11b/g wireless module, and touch screen, without STAND
	AFL-15AE-915-10G/WT-R/1GB-R11	15" 250cd/m <sup>2</sup> XGA fanless panel PC w/ Celeron M 1.0GHz 512K cache CPU,DDR2 RAM,802.11 b/g wireless module,touch screen,Bluetooth,RoHS
	AFL-15BE-915-PM16G/WT-R/1GB/**(HSUPA01)-R11	15" 250cd/m <sup>2</sup> XGA panel PC w/ Pentium® M 1.6GHz CPU, 1GB DDR2 RAM, 802.11 b/g wireless module, touch screen, Bluetooth, RoHS
	AFL-15BE-915-CM370/WT-R/1GB/**(HSUPA01)-R11	15" 250cd/m <sup>2</sup> XGA panel PC w/ Celeron® M 1.5GHz CPU, 1GB DDR2 RAM, 802.11 b/g wireless module, touch screen, Bluetooth, RoHS
	AFL-15BE-AM2/WT-R/1GB/**(HSUPA01)-R10	15" 250cd/m <sup>2</sup> XGA panel PC w/ AMD Athlon 64 X2 Dual-Core 5050e 2.6GHz CPU, 1GB DDR2 RAM, 802.11 b/g/n wireless module, touch screen,Bluetooth, ROHS
	AFL-15CE-9652-CM550/WT-R/1GB/**(HSUPA01)	15" 250cd/m <sup>2</sup> XGA panel PC with Celeron® M 550 2.0GHz CPU,1GB DDR2 RAM,802.11 b/g/n wireless module,touch screen,Bluetooth,RoHS
	AFL-15CE-9652-T7500/WT-R/2GB/**(HSUPA01)	15" 250cd/m <sup>2</sup> XGA panel PC with Core™2 Dou T7500 2.2GHz CPU,2GB DDR2 RAM,802.11 b/g/n wireless module,touch screen,Bluetooth,RoHS
w ODD	AFL-15AE-N270/WT-R/1GB/**(HU01)-R10	15" 250cd/m <sup>2</sup> XGA fanless panel PC with Intel® Atom™ N270 1.6GHz CPU,1GB DDR2 RAM,802.11 b/g wireless module,touch screen,Bluetooth,RoHS
w ODD	AFL-15DE-N270/WT-R/OD/1GB/**(HU01)-R10	15" 250cd/m <sup>2</sup> XGA fanless panel PC with Intel ATOM N270 1.6GHz,802.11b/g wireless module,bluetooth module,touch screen,1GB DDR2 RAM,DVD-COMBO,RoHS

Note: WiFi 802.11 draft N is upgradable.

## ISMM Support Functions

	Voltage	Fan	Smart Fan	Temperature	WDT	Cash Drawer
AFL-15A(B)-915	V	V	V	V	V	
AFL-15B-AM2	V	V	V	V	V	
AFL-15C-9652	V	V	V	V	V	
AFL-15A(E)-LXPOS	V			V	V	V
AFL-15A-N270	V			V	V	

**Dimensions (Unit: mm)**



**Packing List**

Item	Part Number	Q'ty	Specification
Screws Pack	44013-030041-RS	4	M3,5mm
Power Adpater	63000-FSP0601AD101C-RS 63000-FSP0841ADC11118-RS 63000-FSP096AHB-RS 63000-FSP150AHA312-RS	1	90~264V AC; 12V DC; 60W (15A-915, 15A(E)-LXPOS, 15A-N270) 90~264V AC; 12V DC; 84W (15B-915) 90~264V AC; 12V DC; 96W (15C-9652) 90~264V AC; 12V DC; 150W (15B-AM2)
Power Cord	32000-000002-RS	1	1750mm; European Standard
Utilities CD	7B000-000087-RS	1	
Touch Pen	XTR104-0002-RS	1	

**Options**

Model	AFL-15A(E)-LXPOS	AFL-15A-N270	AFL-15A-915	AFL-15B-915	AFL-15C-9652	AFL-15B-AM2
Panel mounting kit		AFLPK-15			AFLPK-15B	
Wall mounting kit		AFLWK-19				
Rack mounting kit		AFLRK-15			AFLRK-15B	
ARM	ARM-11-RS / ARM-31-RS					
Stand	STAND-A19 / STAND-B19 / STAND-POS15 / STAND-210-RS					
OS: Win CE 5.0 (128 MB CF card)	AFLCF-15-LXPOS-CE	N/A	AFLCF-15-915-CE-R11			N/A
OS: Win CE 6.0 (128 MB CF card)	AFLCF-15-LXPOS-CE060	AFLCF-15-N270-CE060-R10	AFLCF-15-915-CE060-R11			N/A
OS: Win XPE (1 GB CF card)	AFLCF-15-LXPOS-XPE	AFLCF-15-N270-XPE-R10	AFLCF-15-915-XPE-R11		AFLCF-15-9652-XPE	AFLCF-15-690-XPE
OS: LINUX (2 GB CF card)	AFLCF-15-LXPOS-LNX-R10	AFLCF-15-N270-LNX-R10	AFLCF-15-915-LNX-R10		AFLCF-15-9652-LNX-R10	AFLCF-15-690-LNX-R10
Hybrid Card Reader	AFLP-17AMSI-U					
Magnetic Stripe Reader	AFLP-17AMSR-U					
DC 12V Input UPS	AUPS-B10-R10 (14.8V 3800mAH)					N/A
DC 9~36V Input UPS	AUPS-B20-R10 (14.8V 3800mAH)					N/A